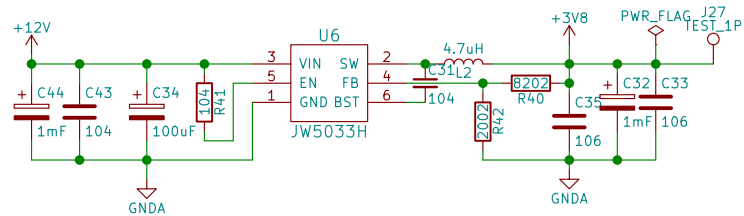
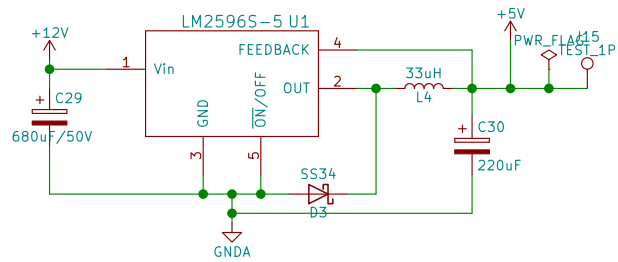
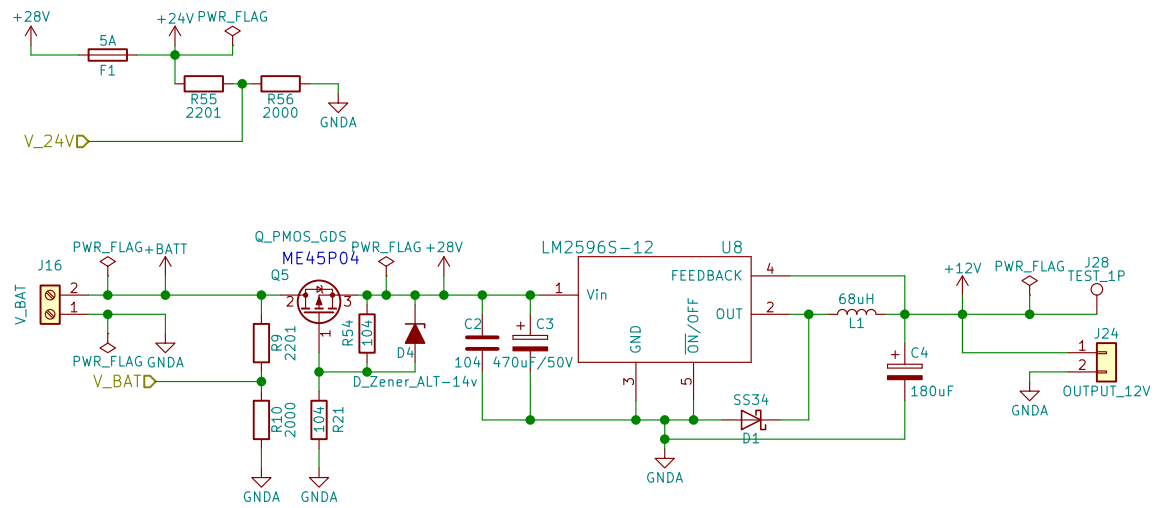


lcg	
yunfei	
Sheet: /	
File: forecast_Air202.sch	
Title: DCBZY	
Size: A4	Date: 2019-07-30
KiCad E.D.A. kicad (5.0.2)-1	Rev: DC-V1.1
	Id: 1/4



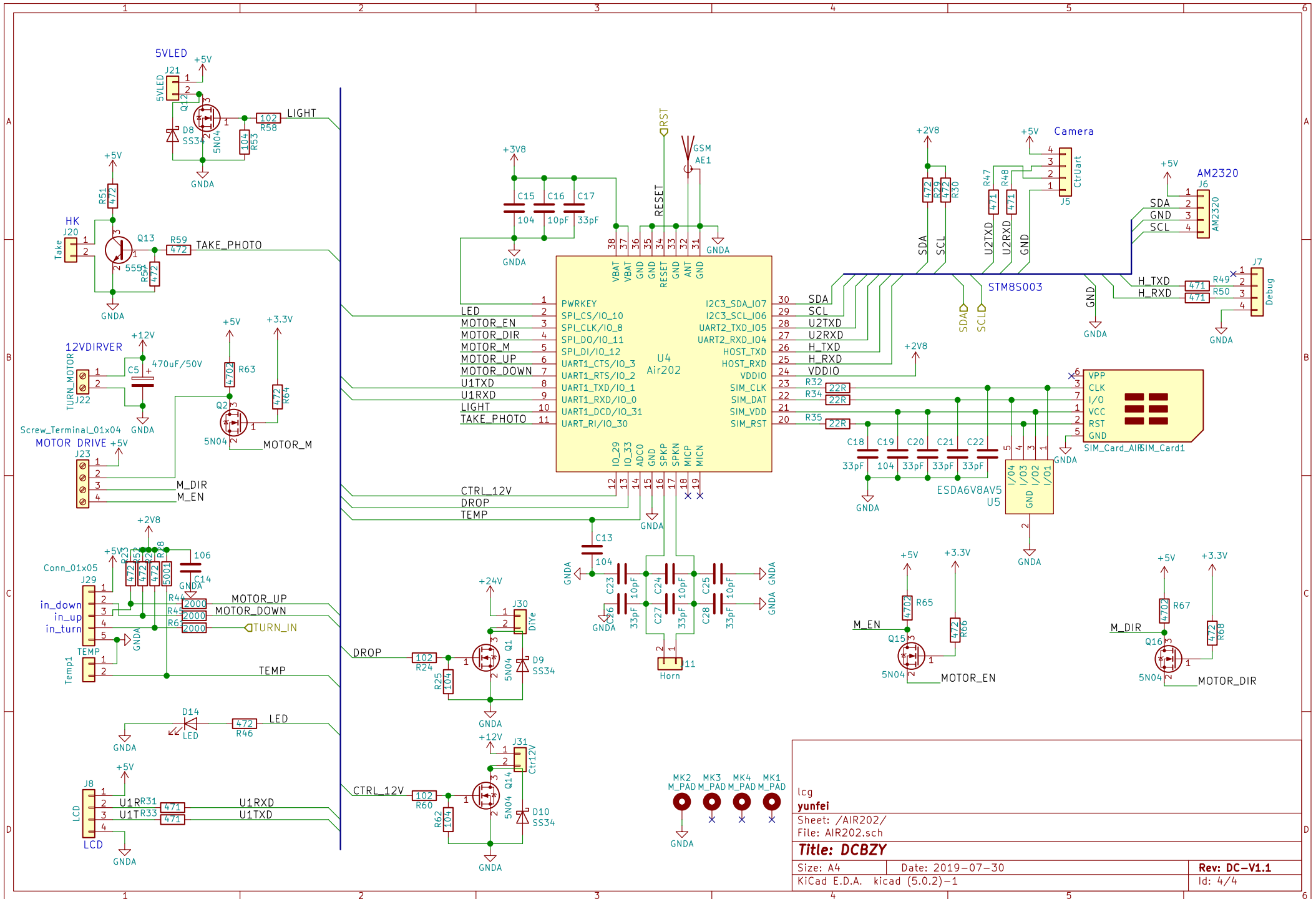
lcg
yunfei

Sheet: /POWER/
File: POWER.sch

Title: DCBZY

Size: A4 Date: 2019-07-30
KiCad E.D.A. kicad (5.0.2)-1

Rev: DC-V1.1
Id: 3/4



lcg	
yunfei	
Sheet: /AIR202/	
File: AIR202.sch	
Title: DCBZY	
Size: A4	Date: 2019-07-30
KiCad E.D.A. kicad (5.0.2)-1	Rev: DC-V1.1
	Id: 4/4